

HDTV IR DOME CAMERA 720P



Model No. Z.CC.CA.IRDO.720P56C0.0120MT1P with 2.8mm Lens

Model No. Z.CC.CA.IRDO.720P56C0.0120MT2P with 3.6mm Lens

Model No. Z.CC.CA.IRDO.720P56C0.0120MT4P with 6mm Lens

Features:

- 1.0 Megapixel high-performance CMOS
- Turbo HD output, up to 720P resolution
- True Day/Night
- DNR, Smart IR
- Up to 20m IR distance
- IP66 weatherproof

Specifications:

Z.CC.CA.IRDO.720P56C0.0120MT1P - HDTV 20 MTR IR DOME CAMERA 2.8MM LENS		
Z. CC.CA.IRDO.720P56C0.0120MT2P - HDTV 20 MTR IR DOME CAMERA 3.6MM LENS		
Z. .CC.CA.IRDO.720P56C0.0120MT4P - HDTV 20 MTR IR DOME CAMERA 6MM LENS		
Camera	Image Sensor	Progressive Scan CMOS
	Effective Pixels	1280(H)*720(V)
	Min. Illumination	0.01 Lux @(F1.2,AGC ON), 0 Lux with IR
	Shutter Time	1/25(1/30) s to 1/50,000 s
	Lens	3.6mm (2.8mm, 6mm optional) Angle of View: 71°(3.6mm), 92°(2.8mm), 57°(6mm)
	Lens Mount	M12
	Angle Adjustment	Pan: 0 - 360°, Tilt: 0 - 90°, Rotation: 0 - 360°
	Day & Night	ICR
	Synchronization	Internal synchronization
	Video Frame Rate	720p@25fps/720p@30fps
HD Video Output	1 Turbo HD output	
General	Working Temperature/Humidity	-40 °C - 60 °C (-40 °F - 140 °F) Humidity 90% or less (non-condensing)
	Power Supply	12V DC
	Power Consumption	Max. 4W
	Weather Proof Ratings	IP66
	IR Range	Up to 20m
	Dimension	Φ89.5 × 69.8 mm(Φ3.52" × 2.75")



Feel Safe

Zicom Electronic Security Systems Ltd

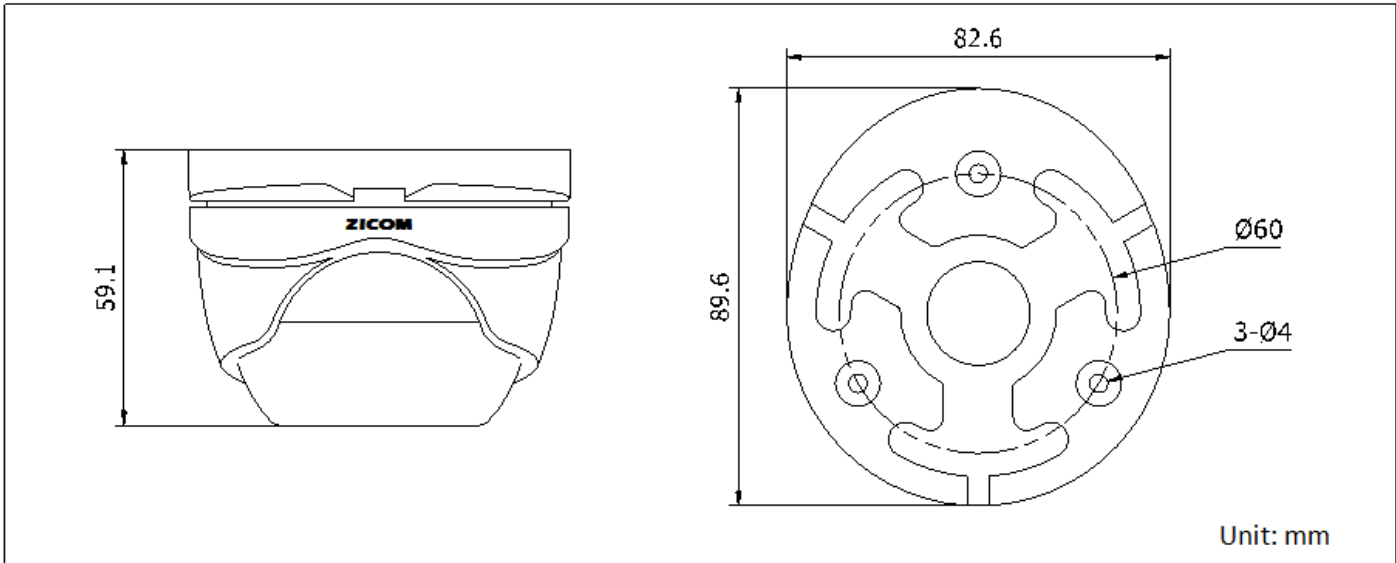
501, 5th Floor, Silver Metropolis, Goregaon (East), Mumbai – 400 063

|Phone +91-224-290-4290 | Fax +91-224-290-4291 | Toll Free 1800-270-4567 | Website www.zicom.com |

* Product picture and technical specs subject to change without previous notice. All Rights Reserved with ZICOM.

HDTV IR DOME CAMERA 720P

Dimension:



Model Order Information

Z.CC.CA.IRDO.720P56C0.0120MT1P	HDTVI 20 MTR IR DOME CAMERA 2.8MM LENS
Z. CC.CA.IRDO.720P56C0.0120MT2P	HDTVI 20 MTR IR DOME CAMERA 3.6MM LENS
Z. .CC.CA.IRDO.720P56C0.0120MT4P	HDTVI 20 MTR IR DOME CAMERA 6MM LENS



Feel Safe

Zicom Electronic Security Systems Ltd

501, 5th Floor, Silver Metropolis, Goregaon (East), Mumbai – 400 063
|Phone +91-224-290-4290 | Fax +91-224-290-4291 | Toll Free 1800-270-4567 | Website www.zicom.com |

* Product picture and technical specs subject to change without previous notice. All Rights Reserved with ZICOM.